



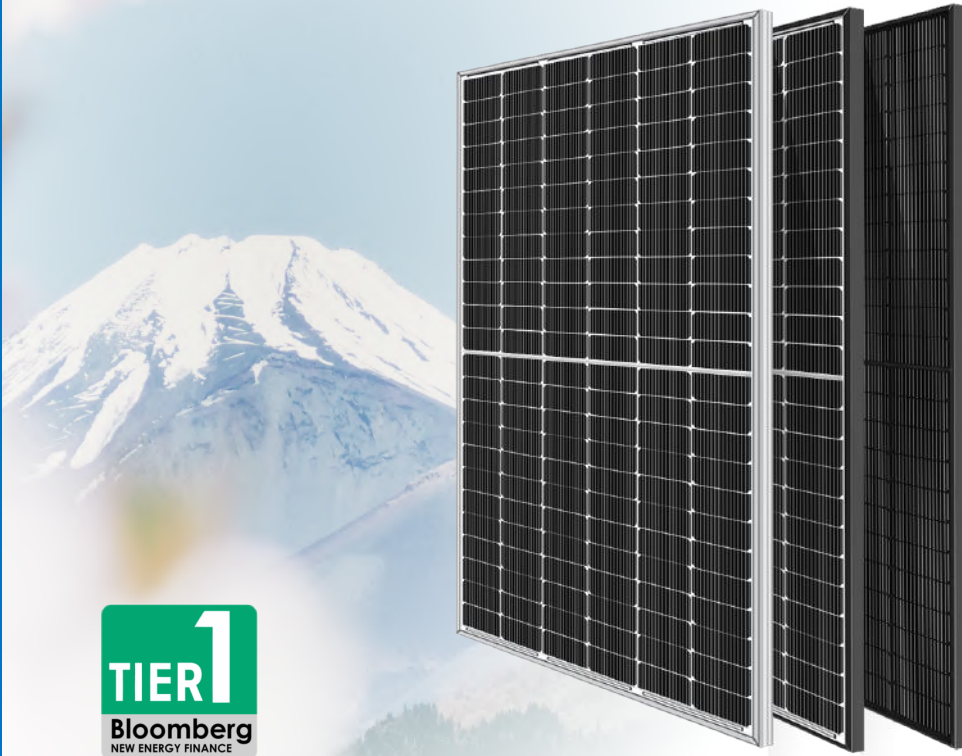
Monofacial

Bifacial

LP182*182-M-72-NH

Rated Power 565-585W

N-Type TOPCon



N-Type MBB Cell
New circuit design N-type cells, can increase the output power of 10W~20W



Low Light Features
Higher performance under low light environment.



Higher Output Power
Module adopts 144 pcs of 182*182mm half cells, the maximum power can reach 585W.



Load Capacity
Mechanical load tests including wind load 2400 Pa and snow load 5400 Pa done by TUV Nord.



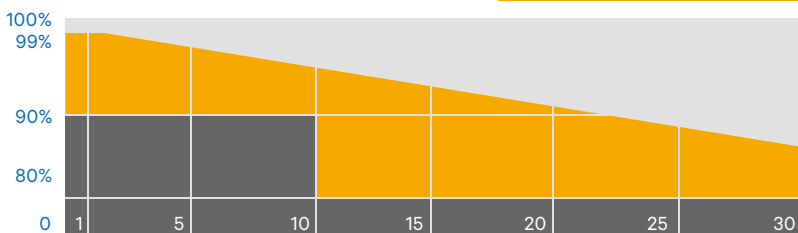
Harsh Environmental Adaptability
Strict salt spray and ammonia corrosion test by TUV Nord.



PID Protection
Ensure the attenuation probability caused by PID phenomenon is minimized.

■ Leapton N-Type Linear Power Warranty ■ Industry Warranty

0.4% Annual Degradation over 30 years



Headquarter : Leapton Energy Co., Ltd.

📍 Tosei Bldg. 6F, 1-2-1 Aioi-cho, Chuo-ku Kobe-shi, Hyogo, 650-0025, Japan

☎ +81-78-382-3182

🌐 www.leaptonenergy.jp

Manufacturer : Leapton Solar (Changshu) Co., Ltd.

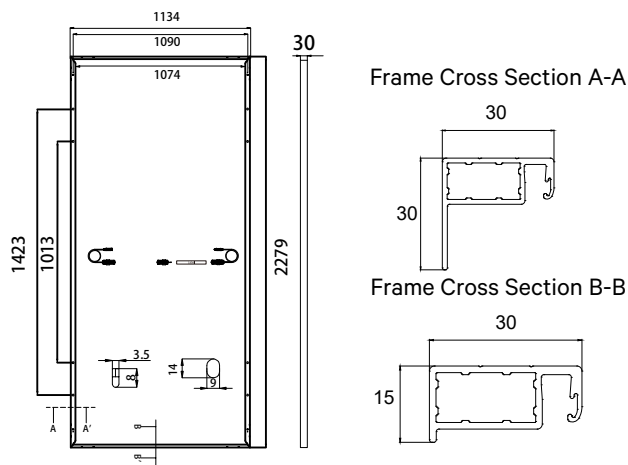
📍 No.9, Sunshine Avenue, Changshu City, Jiangsu, China

☎ +86-512-88800068

✉ info@leaptonenergy.com

🌐 www.leaptonpv.com

MECHANICAL DIAGRAMS



SPECIFICATIONS

| | |
|------------------------|--|
| Weight | 27kg |
| Dimensions | 2279mm*1134mm*30mm |
| Cell Dimensions | 182*182mm |
| Cell Amount | 72*2 pcs |
| Maximum System Voltage | 1500V |
| Junction Box | IP68 |
| Front glass | 3.2mm, Anti-Reflection Coating, High Transmission, Low Iron, Tempered Glass |
| Frame | Aluminum Alloy |
| Cable | 4mm ² , N 1400mm/P 1400mm for Horizontal installation 4mm ² , N 300mm/P 300mm for Vertical installation |
| Connector | MC4 compatible |

ELECTRICAL PARAMETERS AT STC

| | 565W | 570W | 575W | 580W | 585W |
|-----------------------|--------|--------|--------|--------|--------|
| Power | 565W | 570W | 575W | 580W | 585W |
| Open Circuit Voltage | 51.12V | 51.27V | 51.42V | 51.57V | 51.72V |
| Short Circuit Current | 13.99A | 14.05A | 14.11A | 14.18A | 14.24A |
| Maximum Power Voltage | 42.04V | 42.19V | 42.34V | 42.49V | 42.64V |
| Maximum Power Current | 13.44A | 13.51A | 13.58A | 13.65A | 13.72A |
| Module Efficiency | 21.86% | 22.06% | 22.25% | 22.44% | 22.64% |

* Under Standard Test Conditions (STC) of irradiance of 1000 W/m², spectrum AM 1.5 and cell temperature of 25°C.

ELECTRICAL PARAMETERS AT NMOT

| | 425W | 429W | 433W | 437W | 440W |
|-----------------------|--------|--------|--------|--------|--------|
| Power | 425W | 429W | 433W | 437W | 440W |
| Open Circuit Voltage | 48.54V | 48.69V | 48.84V | 48.99V | 49.14V |
| Short Circuit Current | 11.28A | 11.32A | 11.35A | 11.40A | 11.42A |
| Maximum Power Voltage | 39.21V | 39.36V | 39.51V | 39.66V | 39.82V |
| Maximum Power Current | 10.84A | 10.90A | 10.96A | 11.02A | 11.05A |

* Under Nominal Module Operating Temperature (NMOT), irradiance of 800 W/m², spectrum AM 1.5, ambient temperature 20°C, wind speed 1 m/s.

TEMPERATURE CHARACTERISTICS

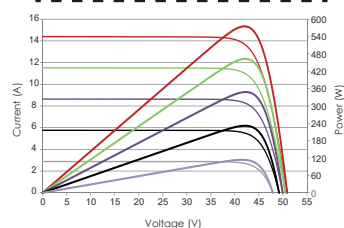
| | | | |
|-------------------------|-----------|--------------------------|------------|
| NMOT | 41±3°C | Temp Coefficient of ISC | +0.046%/°C |
| Temp Coefficient of VOC | -0.25%/°C | Temp Coefficient of Pmax | -0.30%/°C |

PACKING CONFIGURATION

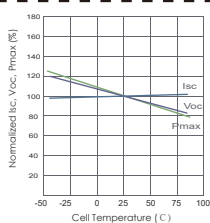
| | | | |
|---------------------|---|----------------------|------------|
| Modules/Pallet | 36 Pieces | Modules/40'Container | 720 Pieces |
| Packing Description | 20 Pallets, Total=(36+36)x10=720 Pieces | | |

CHARACTERISTICS

LP182*182-M-72-NH-570W



LP182*182-M-72-NH-570W



MAXIMUM RATING

| | |
|-----------------------|---------------|
| Output Tolerance | 0~+5W |
| Operating Temperature | -40°C~+85°C |
| Wind Load/Snow Load | 2400pa/5400pa |
| Fuse Current | 25A |

25 YEARS
Quality
Warranty

30 YEARS
Power
Warranty

Headquarter : Lepton Energy Co., Ltd.

📍 Tosei Bldg. 6F, 1-2-1 Aioi-cho, Chuo-ku Kobe-shi, Hyogo, 650-0025, Japan

Manufacturer : Lepton Solar (Changshu) Co., Ltd.

📍 No.9, Sunshine Avenue, Changshu City, Jiangsu, China

☎ +86-512-88800068

✉ info@leptonenergy.com

🌐 www.leptonpv.com

☎ +81-78-382-3182

🌐 www.leptonenergy.jp